

Product Features

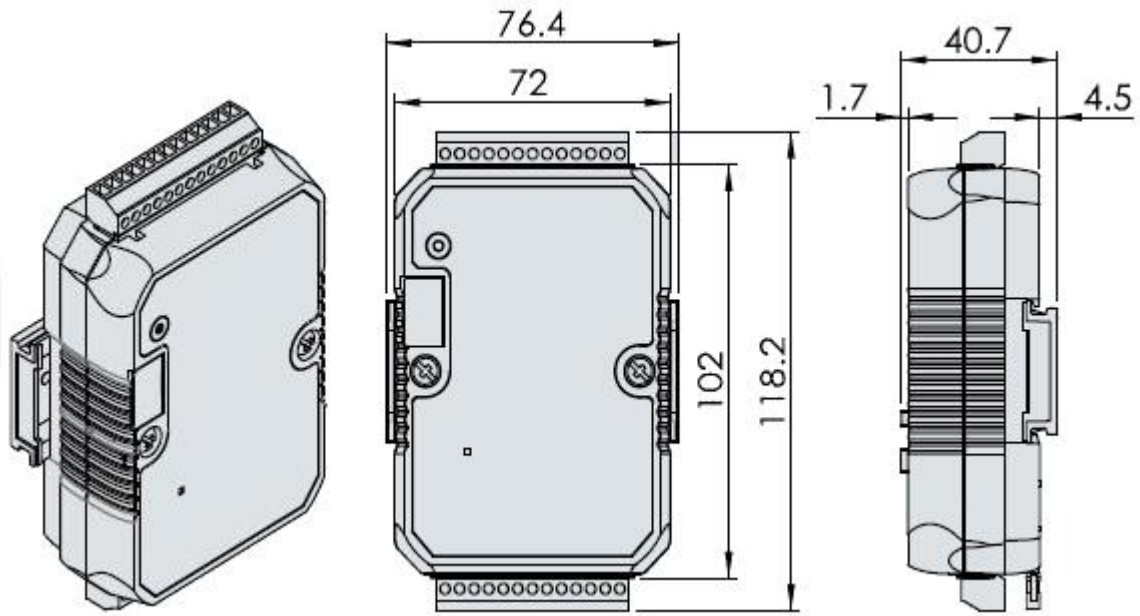
- Use for ATC Whole Series Controller
- RS-485 Interface
- Supports Modbus RTU / ASCII
- LED Indicator
- Operation Temperature -20~+75°C
- Isolation Voltage: 5000 V DC
- Surge , EFT And ESD Protection
- Dual Watchdog Timer
- Low Power Indicator
- Operation Range: Up To 1200 Meters
- Free Monitor PC Software "Utility"



Specifications

Type	A-1055	
Operation Voltage	10~30VDC/24VAC	
Inputs	8 * Isolation DI	Status Low: <1VDC
		Status High: >5~30VDC
Outputs	8, Sink Transistor	
Continuous Current	10-40VDC (200mA)	
Communication Baud Rate	1200 ~ 115200bps	
Data Bit	8 bits	
Parity	Odd, Even, None	
Stop Bits	1,2 bits	
Communication Interface	RS-485	
Communication protocol	MODBUS RTU / MODBUS ASCII	
Isolation	YES (5000VDC)	
Input Operating Frequency	10Hz	
Output Operating Frequency	Relay: 10Hz / Transistor: 10Hz	
Operation Temperature	-20 to +75°C	
Degree Of Protection	IP20	
Installation	35 mm DIN rail / Flush mounting	
Dimension (W×H×D)	76.4*118.2*40.7 mm	

Dimension



Unit: mm

Wiring Diagrams & Pin Out

